

REMEDI

# REMEX-KA6

M E D I C A L I M A G E S O L U T I O N

Medical Portable X-ray Camera  
Image Solution

2020 2021

M

# REMEX-KA6 HANDHELD X-RAY CAMERA

with EXCLUSIVELY DESIGNED  
ACCESSORIES

Superior Image Quality with  
Low Radiation Exposure

**NEW** 2020  
2021





## REMEX-KA6

REMEX Main Features

## REMEX Main Features

- **Expanded Clinical Coverage**
  - All parts of human body including adult chest, pelvis, abdomen, hands, feet and oral parts
  - Set up time under 1 minute.
- **Minimized Radiation Exposure /Reduced Time**

Reduced radiation exposure time with low dose product design and mechanism minimized radiation exposure for users and patients

  - Image acquisition under 3 seconds.
- **Patented Adjustable active area collimator**
  - Patented Collimator reduces leakage and scatter radiation
- **Superior Quality X-ray Image**
  - 70kV: Improved image penetration >Improved bone identification
  - 6mA: Reduced required irradiation time >Reduced motion blurring
  - 0.4mm Focal Spot>High resolution
- **LED and Laser Guided Beam Function**
  - Helps users to pinpoint accurate exposure area

## REMEX Main Features

70kV

- Improved image penetration
- > Improved bone identification

6mA

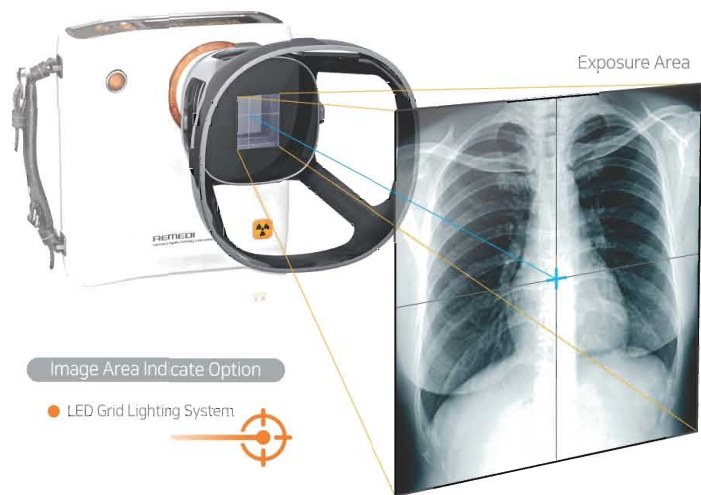
- Reduced required irradiation time
- > Reduced motion blurring

0.4mm

- Focal Spot
- > High resolution

## Product Advantages

-  Low Dose
-  Light Weight
-  High Resolution
-  Wireless Remote Switch



## REMEX-KA6

## REMEX Application

## Tablet/Mobile Application

Wireless Connectivity with tablet and mobile phone  
Wireless X-ray exposure switch adjustable seconds, kV, mA

 Wireless Remote Switch



# Intended Use

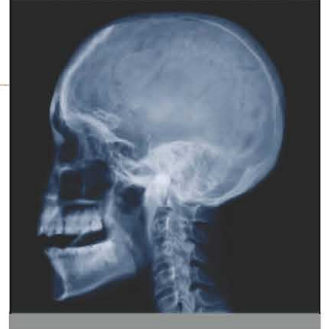
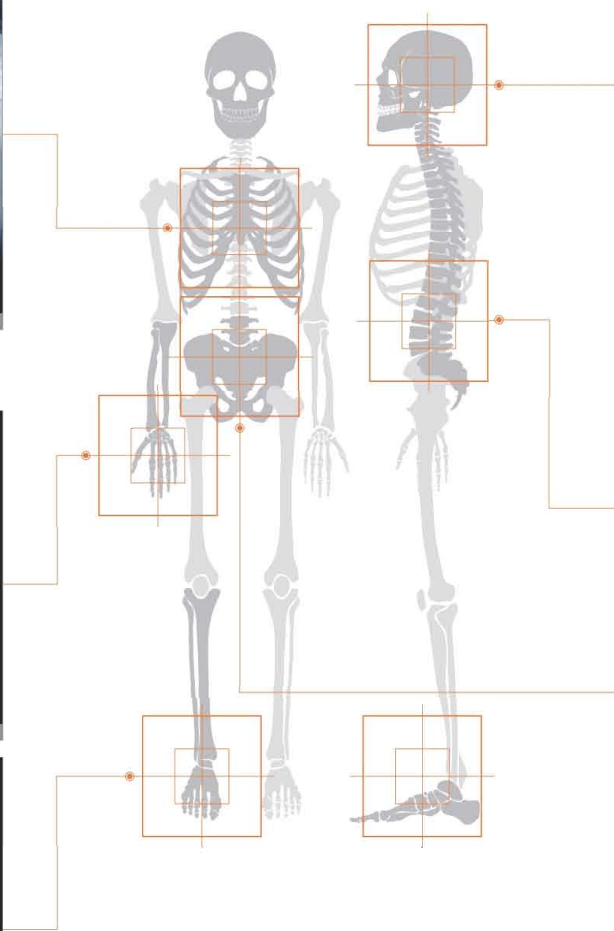
• REMX Image Gallery



• Chest



• Extremities



• Head



• Abdomen

REMX Field of Use

## Application field



Emergency room



Medical Checkup  
General Examination Room



Nursing Home



NICU  
Neonatal Intensive Care Unit



Orthopedics  
Outpatient Clinic



Operating Room



Respiratory  
Medicine  
Outpatient Clinic



ICU  
Intensive Care Unit



NPIR  
Negative Pressure Isolation Room



# REMEX-KA6

REMEX Place of use | Target of use

## Anytime, Anywhere, Fast X-ray Image Solution

- **Portability** : It can be used anywhere.
- **Quick Access** : It is designed specifically for use when it is not safe or practical to move a patient from his or her bed or when X-ray image for quick diagnosis is needed urgently.

REMEX Usage Environment

### Movable Stand

Radiography Systems



All Places  
Emergency room

Anytime, Anywhere

REMEX Usage Environment

### Bed|Mobile

Radiography Systems



Hospital Room  
ICU  
NPIR  
Orthopedics

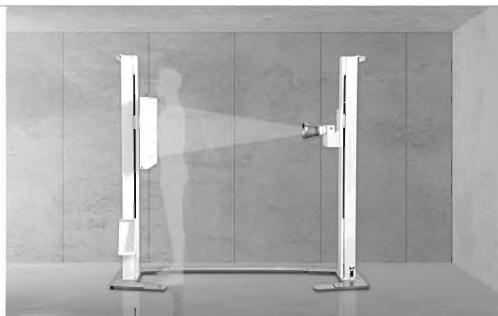
Shooting in bed

Emergency Room  
Hospital Room

REMEX Usage Environment

### Station

Radiography Systems



General Examination  
Respiratory  
Triage

Chest/Head/Spine  
Image Solution

Pediatric  
Plastic Surgery  
Family Medicine

REMEX Usage Environment

### Shielded Kiosk

Radiography Systems



**COVID-19**

Selective Care Center  
Respiratory

Shooting in  
Shielded Kiosk

Public Health center

REMEX Specification

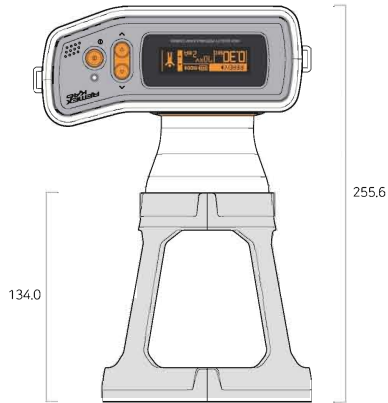
REMEX-KA6

# Specification

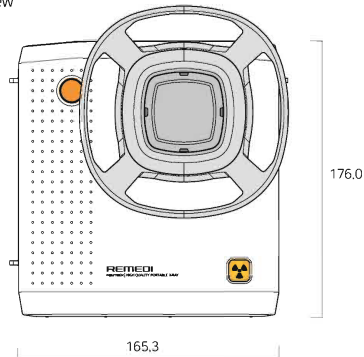
REMEX Specification

## Dimension

Top View



Front View



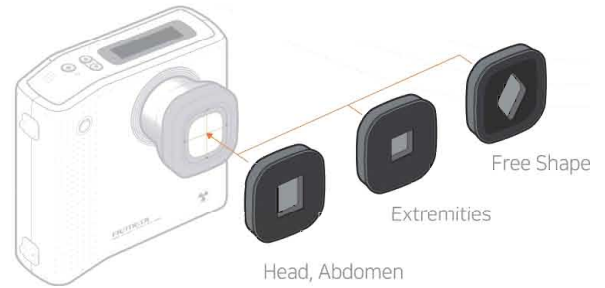
REMEX Specification

## Specification of Device

Contents	Values
Tube kV/mA	40~70kV / 2~6mA
Exposure time	0.06 ~ 2.0sec
Focal Spot	0.4mm
Output Power	420W
Size	165.3 x 176.0 x 255.6mm
Weight	2.4kg
Battery	DC 22.2V, 1,800mAh

## Collimator OPTION

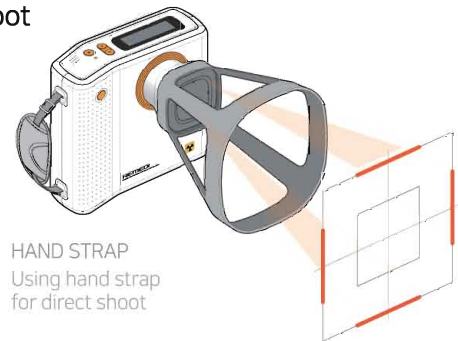
Select a collimator suitable for the filming site.  
Use the collimator filter with the desired shape.



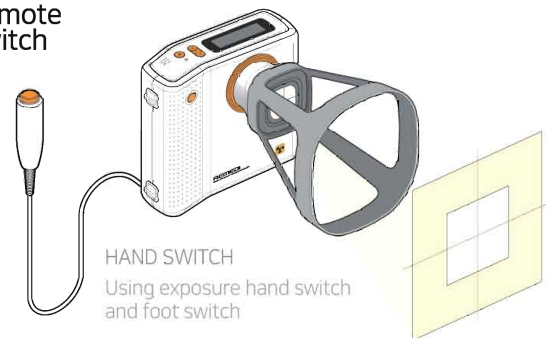
REMEX Extra Features

## Application

### Direct Shoot



### Remote Switch



### Wireless Connection

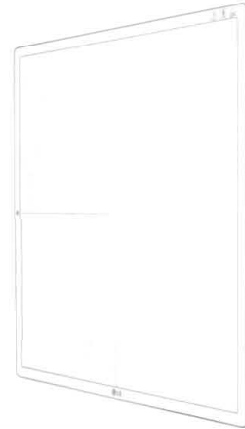
OPTION





Medical Package

REMED I



APPROVED

REMEX Medical Package

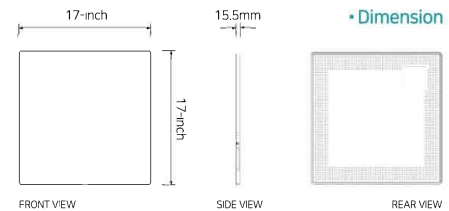
Portable X-Ray Digital Camera REMEX KA6 +  
LG Digital X-Ray Detector

**A** 17HK700G-W  
[Wired]

**B** 17HK701G-W  
[Wired / Wireless]

- Superior Image Quality for Reliable Diagnosis**  
Highly Sensitive CsI AED Detector with 16bit AD Conversion (Data Input & Output)
- Light and Durable** - Magnesium & Carbon-fiber Body  
IP41: Water Resistant & Dustproof

  - Solids Level 4** | Protected against objects of size 1mm or larger
  - Liquids Level 1** | Protected against dripping liquids, such as blood and bodily fluids
- Rapid Image Availability Increases Productivity**  
3sec. (Wired) / 6sec. (Wireless, 802.11 ac)



Specification of Device

		A	B
Model Name		17HK700G-W [Wired]	17HK700G-W [Wired / Wireless]
External Dimension / Weight		17 x 17 inch / 3.2kg, 7lb	17 x 17 inch / 3.4kg, 7.5lb (Icld Battery)
Intended Use		General Radiography	General Radiography
TFT Type		A-si	A-si
Scintillator		CsI	CsI
Pixel Size		140µm	140µm
Image Area	X-ray Sensitive Pixel	3072 x 3072 pixels	3072 x 3072 pixels
	X-ray Sensitive Area	430.08 x 430.08 mm	430.08 x 430.08 mm
MTF	MTF @ 0.5lp/mm	(Typ.) 89%	(Typ.) 89%
DQE	DQE @ 0.1lp/mm	(Typ.) 72%	(Typ.) 72%
A/D Conversion		16bit	16bit
Data Output		16bit	16bit
Communication	Type	Wired	Wired
	Wireless	-	IEE802.11a/b/g/n/ac, 2.4GHz / 5GHz
	AED (Auto Exposure Detection)	Support	Support
Cycle Time		8sec.	8sec. (Wired) / 11sec. (Wireless)
Full Image		3sec.	3sec. (Wired) / 6sec. (Wireless)
Durability	Maximum Load Weight	Full (Uniform Load) : 150kg, 331lb Local (Point Load) : 100kg, 220lb	
	Resistance Rating	IP41	IP41
	Sensor Protection Plate	Carbon Fiber Plate	Carbon Fiber Plate
Battery	Operating Time	-	(Typ.) 240 shots / 6.0hrs. (Condition : Interval Time 90sec.)
	Duration in Standby Status	-	(Typ.) 13hrs.
	Charging Time	-	3hrs.

## REMEDI

Manufacturing : 2F, 69-14, Sakju-ro, 145beon-gil, Chuncheon-si, Gangwon-do, Korea  
Head Office : A-403, Woolim Lion's Valley, 149, Yangpyeong-ro, Yeongdeungpo-gu, Seoul, Korea  
Tel : +82-2-6930-5891 Fax : +82-2-6930-5892 E-Mail : sales@remedihc.com

[www.remedihc.com](http://www.remedihc.com)

## La Plume Healthcare

(PAN India Distributor)

First Floor, Moreshwar Kamal Bldg; Dr. Ramesh Pradhan Marg,  
Near Sai Krupa Hotel, Talao Pali, Thane (W)-400602, Maharashtra.

Phone : 9930266701 / 9930266711

E-Mail : [healthcare@laplume.in](mailto:healthcare@laplume.in) / [kishore.karkera@laplume.in](mailto:kishore.karkera@laplume.in)

**La Plume**  
Healthcare